

# “OLEDSurface” - Square

## SPECIFICATIONS

LS0188 | OLED | Surface Mount | Low Voltage

Type:   
 Project:



### Product Overview:

- Square OLED Module is a “ready-to-install” thin, comfortable and glare-free surface mount light source
- This 3.2 oz light is comprised of a white OLED and integrated low voltage driver (optional)
- Polymer mounting plate and cosmetic bezel with optional finishes
- Up to 300 lumens, uniform, full spectrum light
- 3000K or 4000K; CRI >90, R9 >70
- Up to 60 lm/W
- 0-10V dimming (1% - 100%), flicker free
- Cool to the touch, no additional heatsinking required

### Performance:

Warm white	At 8300 cd/m2	At 3000 cd/m2
Lumens	300	100
Efficacy (Lm/W)	57	63
CCT (K)	3000	3000
CRI	>90	>90
Lifetime (K hrs)	10	50
Neutral white	At 7100 cd/m2	At 3000 cd/m2
Lumens	250	100
Efficacy (Lm/W)	46	50
CCT (K)	4000	4000
CRI	>90	>90
Lifetime (K hrs)	10	50

### Electrical:

#### With Integrated Driver:

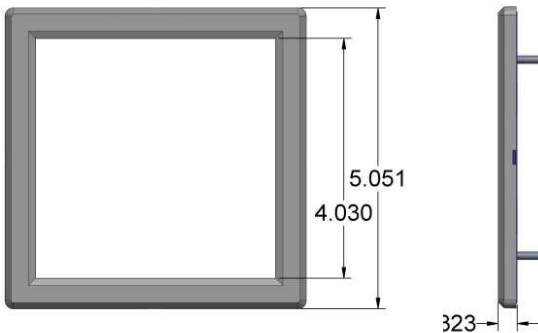
- Input Voltage: 28-48VDC
- Brite 2: 8W (Max.) Brite 1: 10 Watts (Max.)
- 0-10V Dimming (IEC 60929 Compliant)

#### Without Driver

- 19-25.5 VDC OLED Voltage
- Requires external constant current driver
- OLED Current: 368mA (Brite 1) or 260mA (Brite 2)

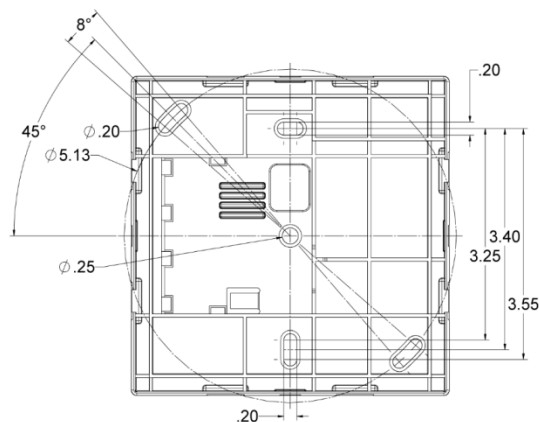
### Dimensions/Weight:

Weight: 3.2 oz



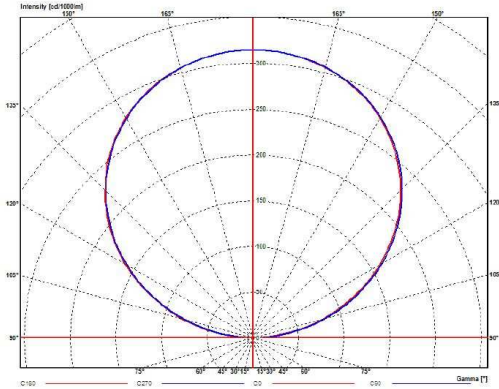
### Mounting:

- Mounts to any flat surface with #6 size screws
- Available with and without driver

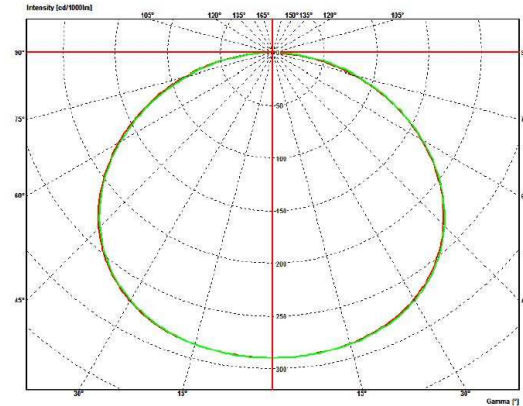


Ledspecialists.com  
 (631)269-0764

Photometrics:



Brite 2 4000K 250 Lumens



Brite 1 3000K 300 Lumens

Specifications:

**Housing:**

Glass Filled Nylon Mounting plate. May be mounted on any flat surface. Uses two # 6 screws for mounting (not included)

**Bezel:**

ABS white or black. Custom finishes available.

**Source:**

OLEDWorks Brite 1 or Brite 2 series OLED devices in 3000K or 4000K with 2 MacAdam ellipses

**Integrated Driver:**

Provides constant current to OLED, 260mA for Brite 2 and 368mA for Brite 1

**Without Integrated Driver (optional):**

Available without Integrated driver. Requires external constant current driver cable of supporting 19-25.5 OLED forward voltage. OLED current shall not exceed 368mA for Brite 1 or 260mA for Brite 2

**Electrical:**

Compatible with any Class 2 SELV Constant Voltage power source 28-48VDC. Power leads (Red (Vin+), Black (Vin-)) are 20AWG, Dimming leads (Purple (Dim+), Gray (Dim-)) are 22AWG

**Dimmer Compatibility:**

Compatible with any 0-10V dimmer that complies with IEC 60929 sinking requirements. Provides linear dimming curve.

**Environment:**

Suitable for indoor dry locations

**Validation:**

UL1598 and UL8750, CSA listed. CE. LM-79 Tested. Meets FCC Part 15 Class B requirements as well as EMC requirements for EN55022, EN61000-3-2, -3-3, -4-2, -4-3, -4-5, -4-6

**Warranty:**

5-year limited warranty, terms located at [www.xxx.com](http://www.xxx.com)

**Packaging:**

Model Numbers:

**LS0188-0XYZ** "OLEDSurface"-Square Module  
 - X = "1" Brite 1, "2" Brite 2  
 - Y = "1" for 3000K, "2" for 4000K  
 - Z = "1" with driver, "2" without driver